

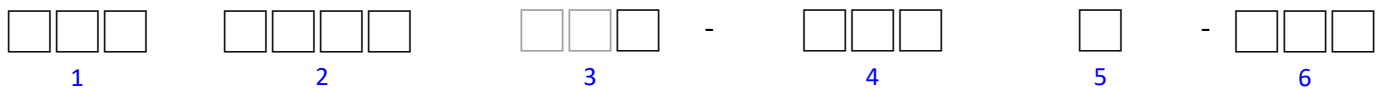
⊕ Feature

- Pair and triple wire coil for high stability and high balance.
- Available in tape & reel for automatic surface mounting.

⊕ Applications

- Double Balance Mixers.
- Broad-Band Transformers.
- Impedance Transformers.
- Common Mode Filter, Balun Transformers.

⊕ Product Identification :

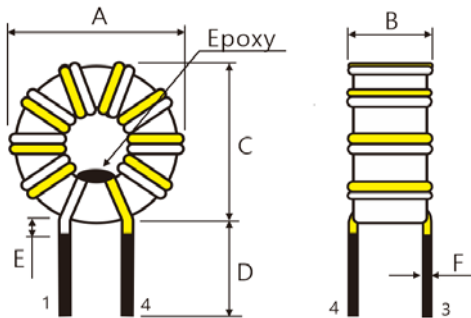


Series name	Dimensions(ODxHxID)		Internal code
DNC	10x4x6	10x4x6mm	L =Level LB=Level+Base S=Stand SB =Stand+Base E = PET Tube V = PVC Tube

Inductance		Tolerance	
1R0	1 μ H	K	10%
100	10 μ H	M	20%
101	100 μ H	N	30%
102	1000 μ H		Min

Material
H70=700ui
H80=800ui
K12=1200ui
K15=1500ui
:

⊕ Shapes And Dimensions



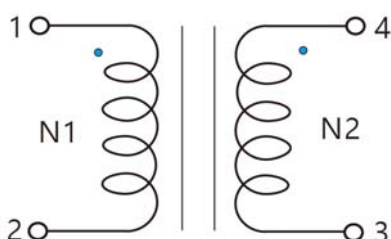
注：磁芯灰色

Part No.	Dimensions(mm)					
	A	B	C	D	E	F
DNC10x4x6GRP2T-520-H80	13.5	8.0	11.50	10.00	1.50	0.40
	Max.	Max.	Max.	± 1.0	Max.	± 0.1

⊕ Electrical Characteristics :

Part No.	Pin No	Turns (Ts)	Wire	L (μ H)min	DCR (m Ω)	IDC(1-4) (A)	Hi-Pot
				1KHz/0.25V			(N1=N2)
DNC10x4x6GRP2T-520-H80	1-2	15	2UEW-0.4	52	95	-	AC -V, - mA, - Sec
	4-3	15	TEX-0.4	52	95		
	-	-	-				
		Ref		Min	Max.	Max.	

⊕ Equivalent Circuit Schematic :



⊕ Material List :

No.	Supplier	Location	Material
1	RSIN	Core	A8100040060G-C客供
2	XIN LONG	Wire	N1 :2UEW,0.4mm
			N2 :TEX,0.4mm
3	GAOXIN	Solder	Sn99.3 Cu0.7
4			

TEST DATA FOR PREPRODUCTION SAMPLES

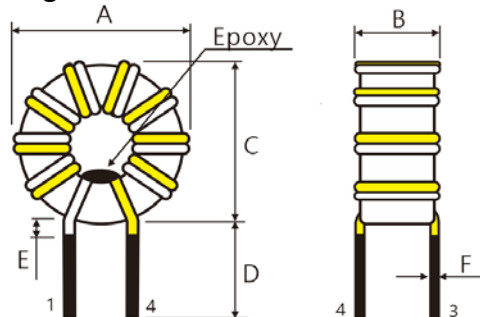
Customer		Test Date	2017-1-16		
RSiM Part No.	DNC10x4x6GRP2T-520-H80	Sample Quantity	10	PCS	
Lot No		Test Temp	25°C	Test Humidity	62%

MEAS Item	L(N1) (μH)	L(N2) (μH)	DCR (mΩ)	A (mm)	B (mm)	C (mm)	D (mm)	E (mm)	G (mm)		
SPEC	52	52	95.00	13.50	8.00	11.50			-	-	-
Upper	-	-	95.00	13.50	8.00	11.50	0.00	0.00	-	-	-
Lower	52	52	-	-	-	-	0.00	0.00	-	-	-
Tolerance	Min	Min	Max	Max	Max	Max			-	-	-
Test Freq.	1KHz/0.25V	1KHz/0.25V								-	-
1	110.00	108.00	40.00	11.40	5.50	10.20					
2	85.00	84.00	40.00	12.30	5.70	10.70					
3	94.00	92.00	36.00	11.70	5.40	10.10					
4	98.00	97.00	34.00	11.82	5.54	10.60					
5	104.00	102.00	34.00	11.80	5.60	10.40					
6											
7											
8											
9											
10											
Average	98.20	96.60	36.80	11.80	5.55	10.40					
Max	110.00	108.00	40.00	12.30	5.70	10.70			0.00	0.00	0.00
Min	85.00	84.00	34.00	11.40	5.40	10.10			0.00	0.00	0.00
Range	25.00	24.00	6.00	0.90	0.30	0.60			0.00	0.00	0.00
StDevP	8.54	8.24	2.71	0.29	0.10	0.23			#####	#####	#####

Test Instrument

LCR CHROMA 3302A
DCR TH283TLX+TH1901A

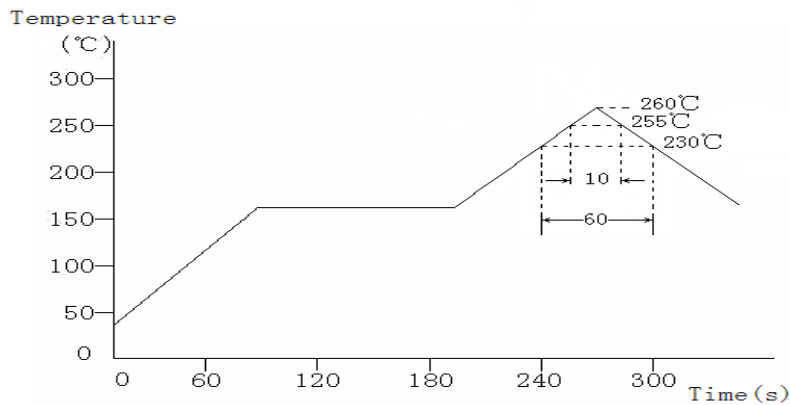
Configuration



Coil Spec :

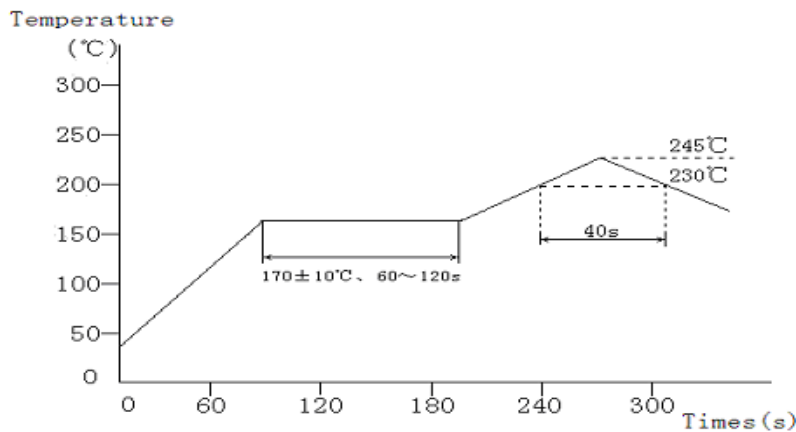
Drawn by *davy* Checked by *amanda* Approved by *Vincent*

⊕ Reflow Soldering Heat Endurance



- No mechanical and electrical defects are found after testing based on the above profile and keeping under the conditions of room temperature and humidity for 2 hours.
- Twice reflow test is acceptable with the test interval remaining 1 hour under the normal conditions.
- The reflow test profile may vary with the testing instruments.

⊕ Recommended Reflow Conditions



The recommended reflow profile is based on the testing instruments used. Solder ability will depend on the testing equipments, reflow conditions, testing method, etc. So it is necessary to make a confirmation of them when the reflow conditions are set up.